



DSVCM-R

Air quality duct transmitter

DSVCM-R are multifunctional duct transmitters which measure temperature, relative humidity and a broad range of total volatile organic compounds (TVOCs). The TVOC concentration is an accurate indicator for air quality. Based on the temperature and relative humidity measurements, the dew point is calculated. They are Power over Modbus supplied and all parameters are accessible via Modbus RTU.

Key features

- Suitable for duct mounting
- Selectable temperature, relative humidity and TVOC ranges
- Silicon based sensor elements for TVOC measurements
- Bootloader for updating the firmware via Modbus RTU communication
- Modbus RTU (RS485)
- Long-term stability and accuracy
- Replaceable TVOC sensor module

Area of use

- Measurement of temperature, relative humidity and TVOC in ducts
- Monitoring of air quality in ducts

Article codes

Article code	Supply	Imax	Connection
DSVCM-R	24 VDC, PoM	110 mA	RJ45

Technical specifications

Supply voltage	24 VDC, Power over Modbus		
Warm-up time	15 minutes		
Typical field of use	Temperature range	-30–70 °C	
	Relative humidity range	0–100 % rH (non-condensing)	
	TVOC range	0–60.000 ppb	
Accuracy	±0,4 °C (-30–70 °C)		
	±3 % rH (0–100 % rH)		
Protection standard	Enclosure: IP54; probe: IP20		

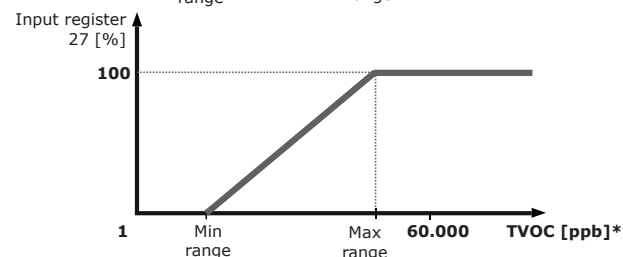
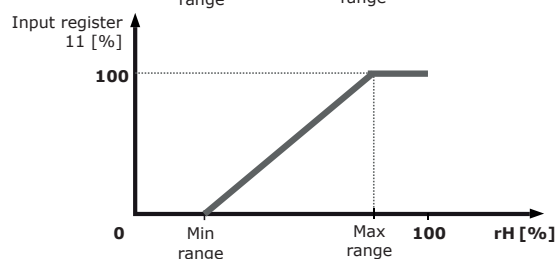
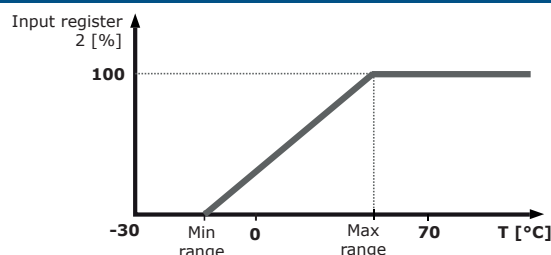
Wiring and connections

RJ45 socket (Power over Modbus)

Pin 1	24 VDC	Supply voltage
Pin 2		
Pin 3	A	Modbus RTU communication, signal A
Pin 4		
Pin 5	/B	Modbus RTU communication, signal /B
Pin 6		
Pin 7	GND	Ground, supply voltage
Pin 8		



Operational diagrams



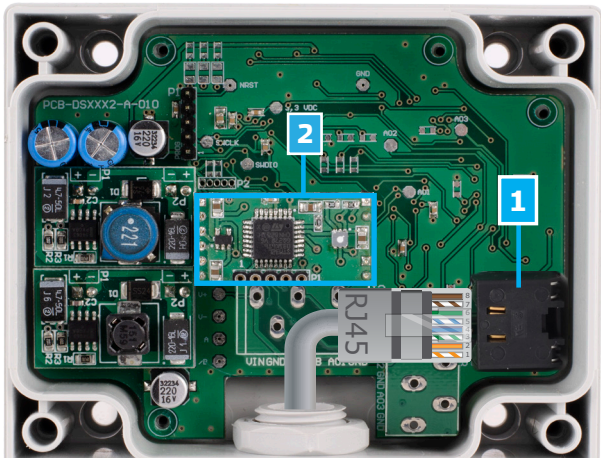
*TVOC measurement will return 0 ppb during warm-up time.

DSVCM-R

Air quality duct transmitter



Settings



1 - RJ45 Socket



Plug the communication and power cable into the socket

2 - TVOC sensor element

Replaceable in case of faulty operation

Standards



- EMC Directive 2014/30/EC:
 - EN 61000-6-1:2007 Electromagnetic compatibility (EMC) - Part 6-1: Generic standards - Immunity for residential, commercial and light-industrial environments
 - EN 61000-6-3:2007 Electromagnetic compatibility (EMC) - Part 6-3: Generic standards - Emission standard for residential, commercial and light-industrial environments Amendments A1:2011 and AC:2012 to EN 61000-6-3
 - EN 61326-1:2013 Electrical equipment for measurement, control and laboratory use - EMC requirements - Part 1: General requirements
 - EN 61326-2-3:2013 Electrical equipment for measurement, control and laboratory use - EMC requirements - Part 2-3: Particular requirements - Test configuration, operational conditions and performance criteria for transducers with integrated or remote signal conditioning

• WEEE Directive 2012/19/EC

• RoHS Directive 2011/65/EC

Modbus registers



The Sensistant Modbus configurator allows you to easily monitor and/or configure Modbus parameters.

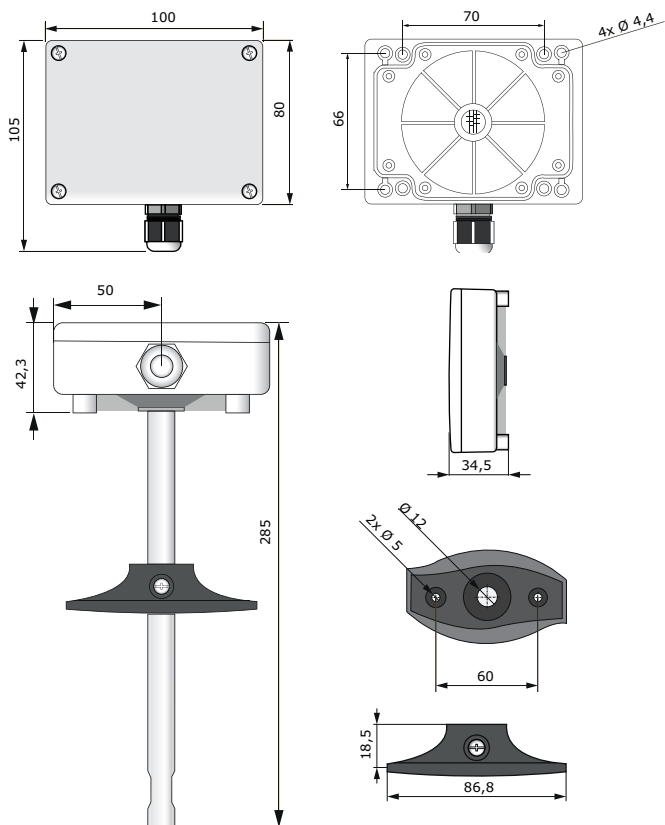
The parameters of the unit can be monitored / configured through the 3SModbus software platform. You can download it from the following link:

<https://www.sentera.eu/en/3SMCenter>



For more information about the Modbus registers, please refer to the product Modbus Register Map.

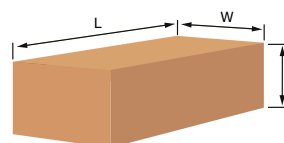
Fixing and dimensions



Global trade item numbers (GTIN)

Packaging	DSVCM-R
Unit	05401003002025
Box	05401003500774

Packaging



Article	Packaging	Length [mm]	Width [mm]	Height [mm]	Net weight	Gross weight
DSVCM-R	Unit (1 pc.)	310	115	115	0,16 kg	0,24 kg
	Box (20 pcs.)	590	380	505	3,20 kg	6,03 kg