



DTS-L

Digital duct temperature sensor

The DTS-L series are digital temperature sensors powered over Modbus with 3,3 VDC via an RJ12 connector. They are intended for duct channels and are compatible with various temperature control systems. The sensor element is placed in a stainless steel tube of different length - 85 or 165 mm, which simplifies the cleaning of the duct system.

Key features

- Wide temperature range: -30—70 °C
- Modbus RTU communication
- Easy wiring via an RJ12 socket
- Low-maintenance and easy-to-clean design

Technical specifications

| | | |
|---------------------|----------------------------|----------------------------|
| Supply voltage | 3,3 VDC, Power over Modbus | |
| Power consumption | Maximum: 0,026 W | |
| | Nominal: 0,025 W | |
| | Imax: 8 mA | |
| Sensor range | -30—70 °C | |
| Accuracy | ±1 °C | |
| Protection standard | IP65 | |
| Ambient conditions | Temperature | -30—70 °C |
| | Rel. humidity | 5—95 % rH (non-condensing) |



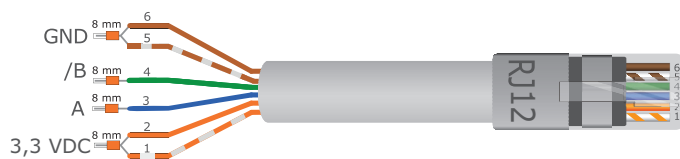
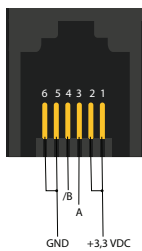
Article codes

| Article code | Supply | Probe length |
|--------------|--------------|--------------|
| DTS-L-080 | 3,3 VDC, PoM | 85 mm |
| DTS-L-160 | | 165 mm |

Wiring and connections

| RJ12 socket | |
|-------------|-------------------------------------|
| Pin 1 | Supply voltage |
| Pin 2 | Supply voltage |
| Pin 3 | Modbus RTU communication, signal A |
| Pin 4 | Modbus RTU communication, signal /B |
| Pin 5 | Ground, supply voltage |
| Pin 6 | Ground, supply voltage |

RJ12 socket



Area of use

- Measuring temperature in duct channels

Indications




| | | |
|-------------|---|---|
| RJ12 socket |  | Modbus RTU communication and 3,3 VDC power supply |
|-------------|---|---|

DTS-L

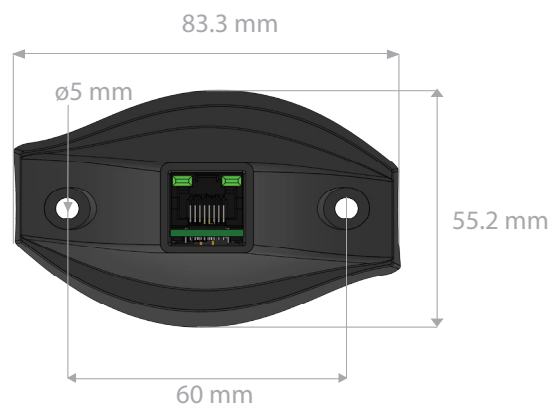
Digital duct temperature sensor



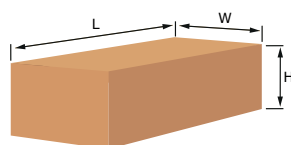
Standards

- Low Voltage Directive 2014/35/EC 
 - EN 60529:1991 Degrees of protection provided by enclosures (IP Code Amendment AC:1993 to EN 60529)
 - EN 60730-1:2011 Automatic electrical controls for household and similar use - Part 1: General requirements
- EMC Directive 2014/30/EC:
 - EN 61326-1:2013 Electrical equipment for measurement, control and laboratory use - EMC requirements - Part 1: General requirements
 - EN 61326-2-3:2013 Electrical equipment for measurement, control and laboratory use - EMC requirements - Part 2-3: Particular requirements - Test configuration, operational conditions and performance criteria for transducers with integrated or remote signal conditioning
 - EN 61326-2-5:2013 Electrical equipment for measurement, control and laboratory use - EMC requirements - Part 2-5: Particular requirements - Test configurations, operational conditions and performance criteria for devices with field bus interfaces according to IEC 61784-1
- WEEE Directive 2012/19/EU
- RoHS Directive 2011/65/EU

Fixing and dimensions



Packaging

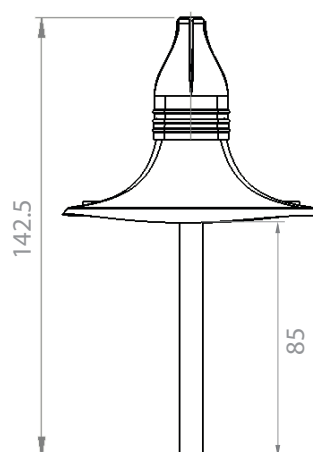


| Article | Packaging | Length [mm] | Width [mm] | Height [mm] | Net weight | Gross weight |
|-----------|---------------------|-------------|------------|-------------|------------|--------------|
| DTS-L-080 | Unit (1 pc.) | 82 | 55 | 175 | 0,043 kg | 0,066 kg |
| | Box (60 pcs.) | 590 | 380 | 280 | 2,58 kg | 3,96 kg |
| | Pallet (1,680 pcs.) | 1,200 | 800 | 2,140 | 72,24 kg | 110,88 kg |
| DTS-L-160 | Unit (1 pc.) | 82 | 55 | 225 | 0,045 kg | 0,137 kg |
| | Box (40 pcs.) | 590 | 380 | 280 | 1,80 kg | 5,40 kg |
| | Pallet (1,120 pcs.) | 1,200 | 800 | 2,140 | 50,40 kg | 153,44 kg |

Global trade item numbers (GTIN)

| Packaging | DTS-L-080 | DTS-L-160 |
|---------------|----------------|----------------|
| Unit | 05401003002087 | 05401003002094 |
| Box | 05401003500866 | 05401003500873 |
| Pallet | 05401003701010 | 05401003701027 |

DTS-L-080



DTS-L-160

